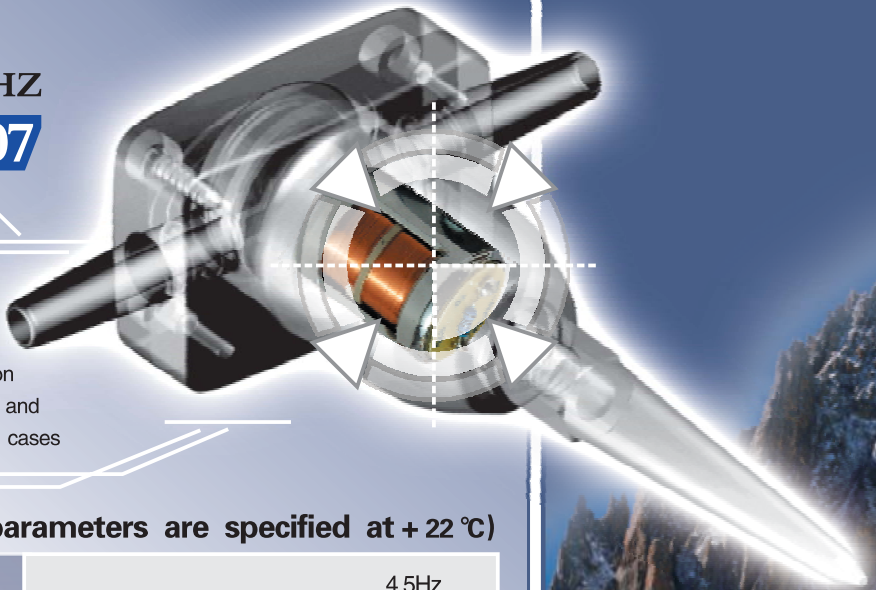


DT-20DX-4.5HZ
P/N: 810100-007

Low frequency geophone element

High quality, reliable and cost effective
 3 years limited warranty
 2-D & 3-D seismic exploration application
 Suitable for land, transition zone, marsh and
 shallow water environments with various cases



Specifications (all parameters are specified at + 22 °C)

| | | |
|---------------------------------|--|---------------------------|
| Frequency | Natural frequency (fn) | 4.5Hz |
| | Tolerance | ± 0.5Hz |
| | Max. tilt angle for specified fn | 10° |
| | Typical spurious frequency | >160 Hz |
| Distortion | Distortion | ≤0.3% |
| | Distortion measurement frequency | 12 Hz |
| | Max. tilt angle for distortion specification | Vertical |
| Damping | Damping with calibration-shunt | 0.7 |
| | Tolerance with calibration-shunt | ± 10% |
| Coil Resistance | Standard | 395 ohm |
| | Tolerance | ± 5% |
| Sensitivity | Sensitivity | 23.4 V/m/s (0.594 V/in/s) |
| | Tolerance | ± 10% |
| | Moving mass | 11 g (0.395 oz) |
| | Maximum coil excursion p.p. | 1.5 mm (0.060 in) |
| Physical Characteristics | Diameter | 25.4 mm (1 in) |
| | Height | 33.0 mm (1.26 in) |
| | Weight | 89 g |
| | Operating temperature range | -40°C to +100°C |
| Limited Warranty Period | | 1 years |

Warranty excludes damage caused by high voltage and physical damage to the element case.
 SPECIFICATIONS ARE SUBJECT TO CHANGE WITHOUT PRIOR NOTICE.